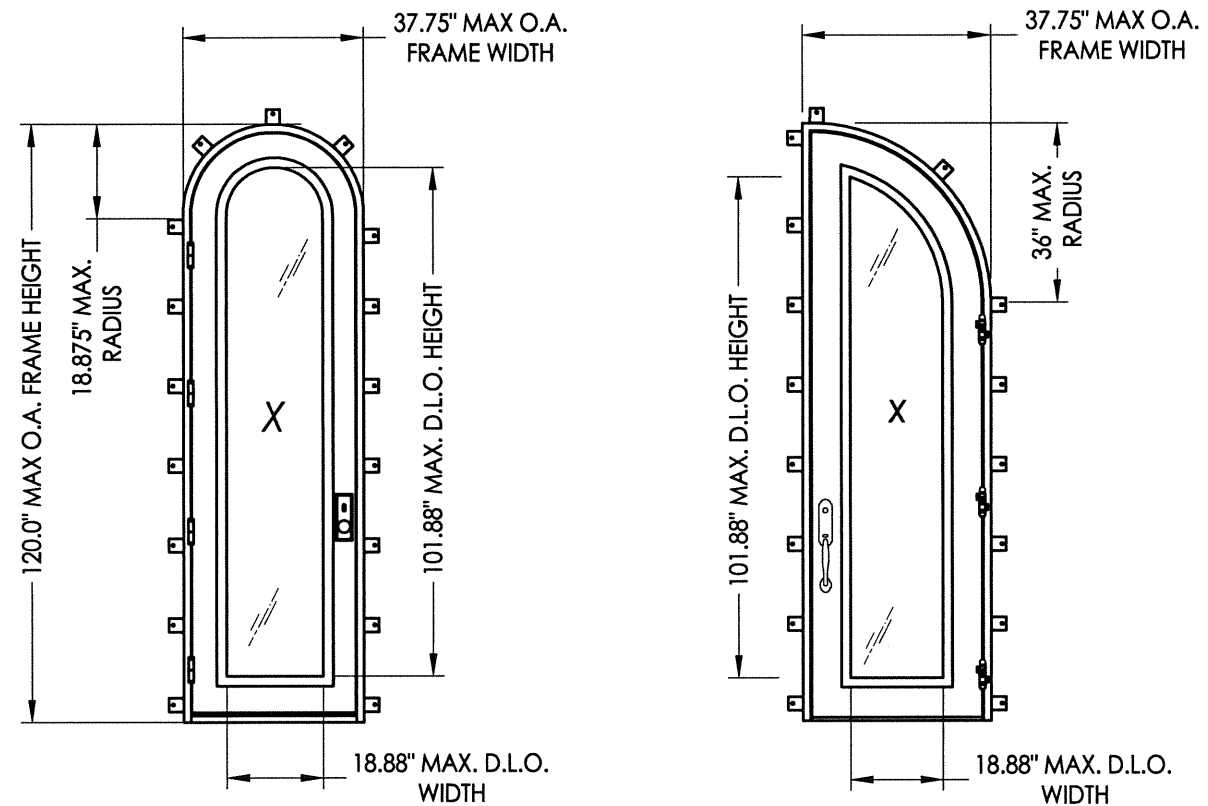


Clark Hall Iron Doors

GLAZED IRON SINGLE DOOR (Arch Top)

INSWING/OUTSWING

"IMPACT"



GENERAL NOTES

1. This product has been evaluated and is in compliance with the 2010 Florida Building Code (FBC) structural requirements excluding the "High Velocity Hurricane Zone" (HVHZ).
2. Product anchors shall be as listed and spaced as shown on details. Anchor embedment to base material shall be beyond wall dressing or stucco.
3. When used in areas requiring wind borne debris protection, this product complies with Section 1609.1.2 of the FBC and does not require an impact resistant covering. This product meets missile level "D" and includes Wind Zone 4 as defined in ASTM E1996 and Section 1609.1.2.4 of the FBC.
4. For 2x stud framing construction, anchoring of these units shall be the same as that shown for 2x buck masonry construction.
5. Site conditions that deviate from the details of this drawing require further engineering analysis by a licensed engineer or registered architect.

TABLE OF CONTENTS	
SHEET#	DESCRIPTION
1	Typical elevations, design pressures, & general notes
2	Door panel details
3	Glazing details
4	Horizontal & vertical cross sections
5	Buck & Frame anchoring
6	Components
7	Bill of materials & components

CONFIGURATION	OVERALL FRAME DIMENSION	DESIGN PRESSURE (PSF)			
		INSWING		OUTSWING	
		POS.	NEG.	POS.	NEG.
X	37.75" x 120.0"	+75.0	-75.0	+75.0	-75.0

NOTE: See Sheets 3 & 4 for glazing and lock hardware design pressure limitations.

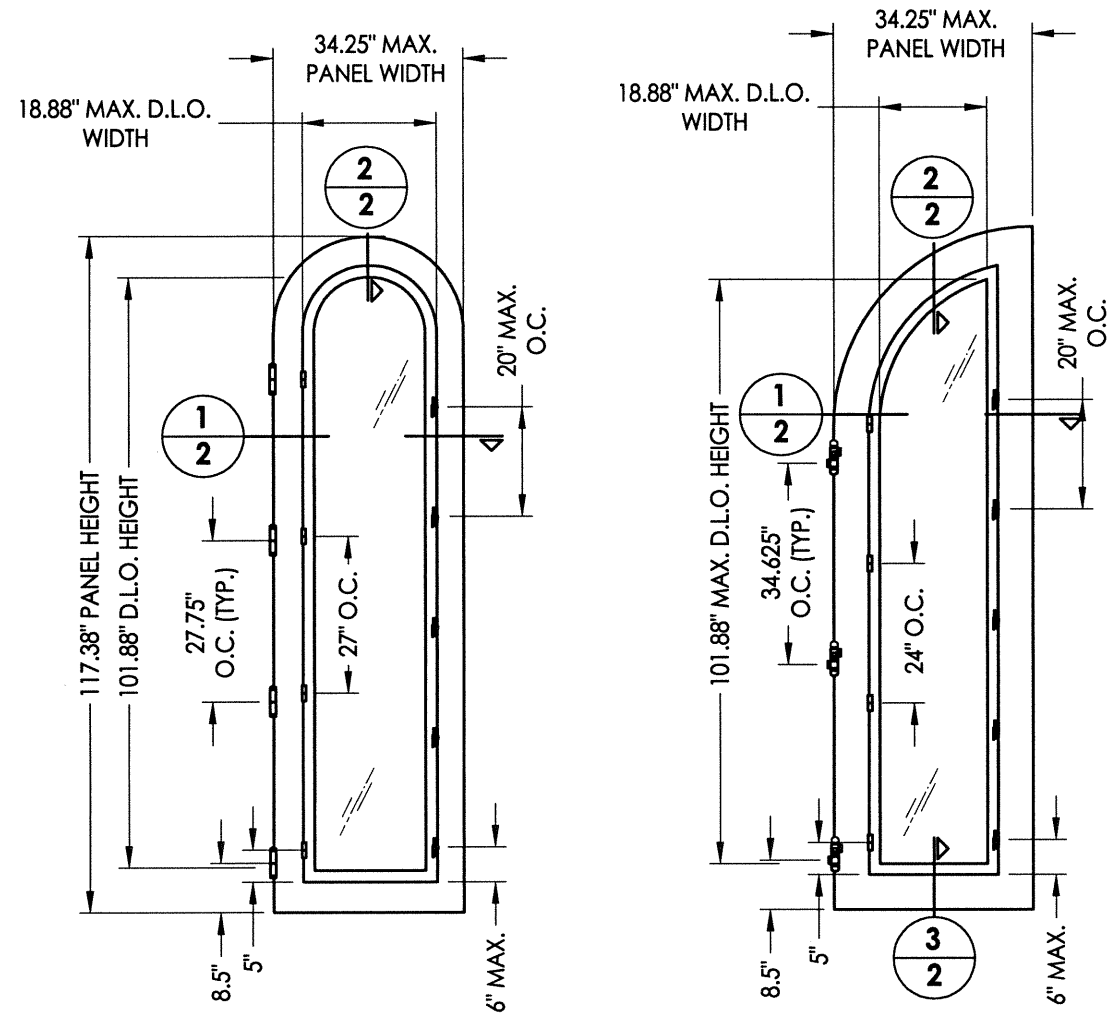
Documents Prepared By:

RW BUILDING CONSULTANTS, INC.
P.O. Box 230 Valrico FL 33595
Phone No.: 813.659.9197
Florida Board of Professional Engineers
Certificate Of Authorization No. 9813
1752 12-19-13
Lyndon F. Schmidt, P.E. No. 43409

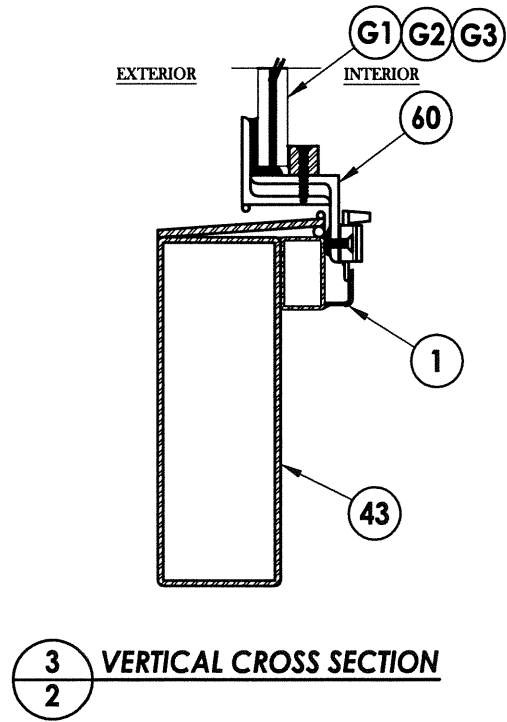
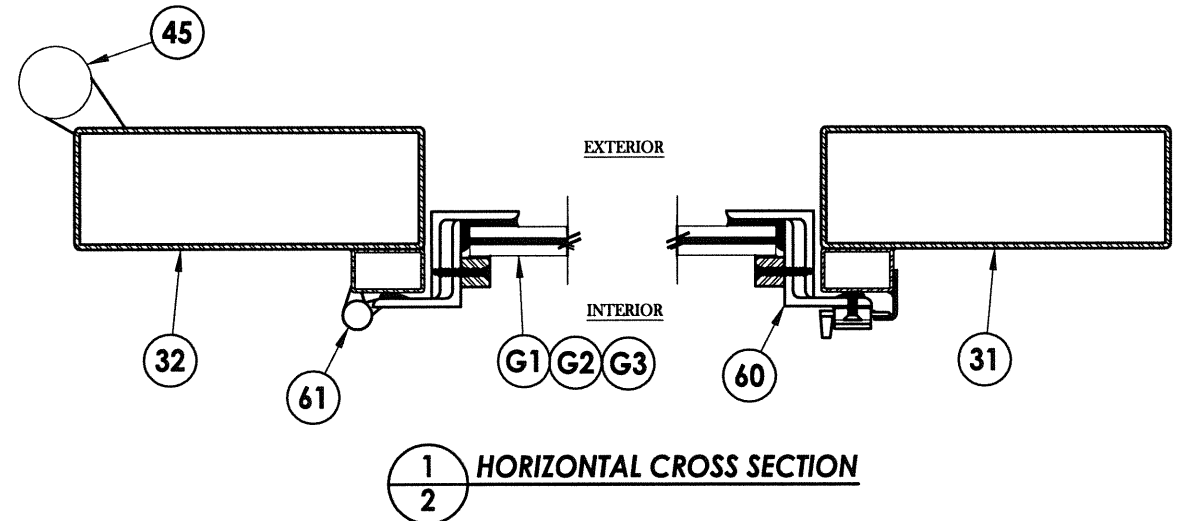
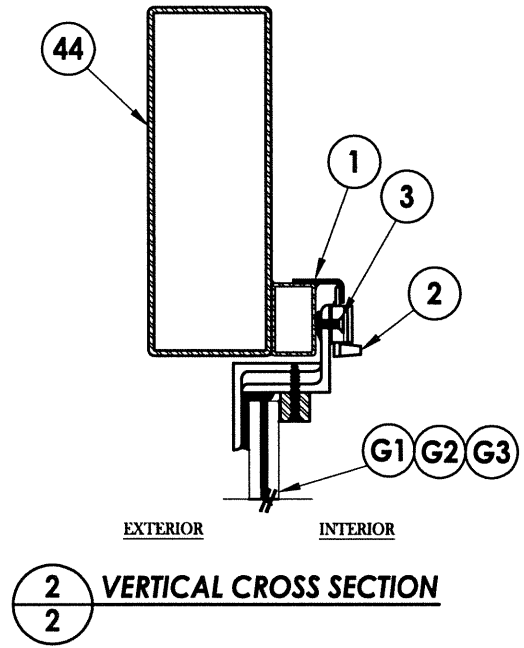
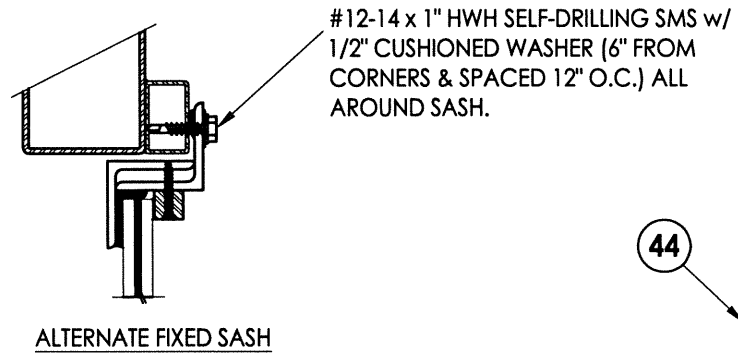
PRODUCT: CLARK HALL IRON DOORS
PART OR ASSEMBLY: TYPICAL ELEVATIONS, DESIGN PRESSURES & GENERAL NOTES

NO.	DATE	BY	REVISIONS

DATE: 10/30/13
SCALE: N.T.S.
DWG. BY: JK
CHK. BY: LFS
DRAWING NO.: FL-16663.7
SHEET 1 OF 7



30 DOOR PANEL
w/ Operable Sash



Documents Prepared By:

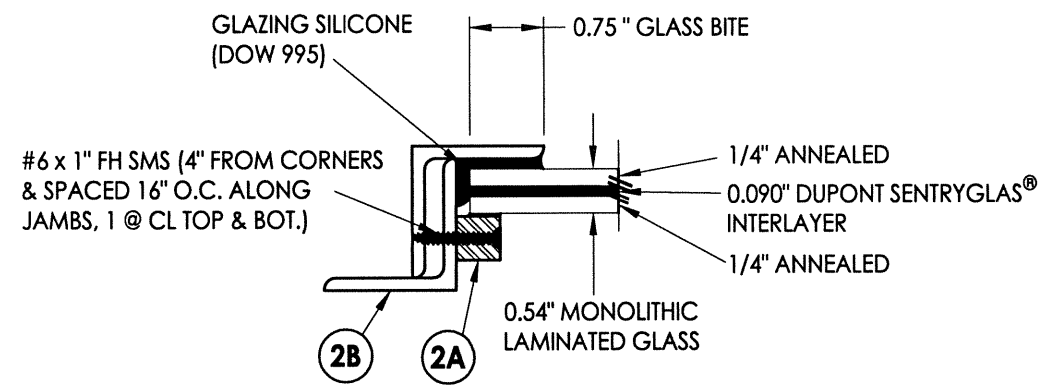
RW BUILDING CONSULTANTS, INC.
P.O. Box 230 Valrico FL 33595
Phone No.: 813.659.9197
Florida Board of Professional Engineers
Certificate of Authorization No. 9813
12-19-13
Lyndon F. Schmidt, P.E. No. 43409

PRODUCT: CLARK HALL IRON DOORS

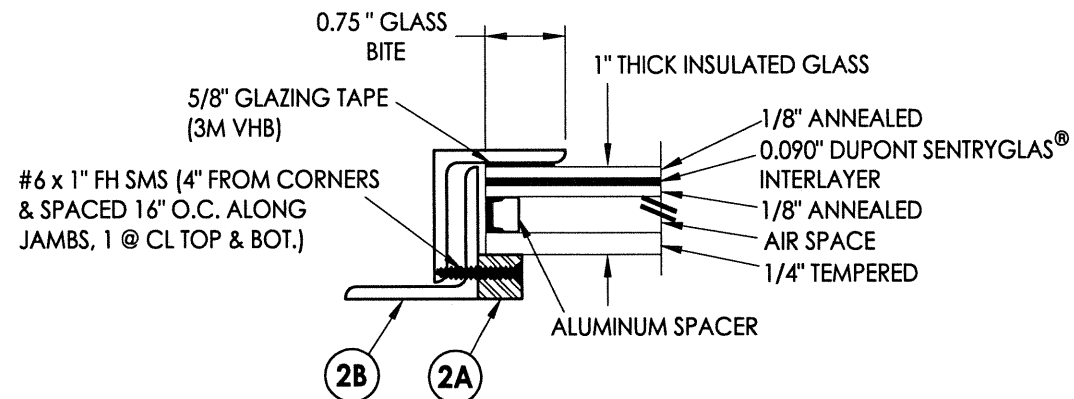
PART OR ASSEMBLY: DOOR PANEL DETAILS

NO.	DATE	BY	REVISIONS

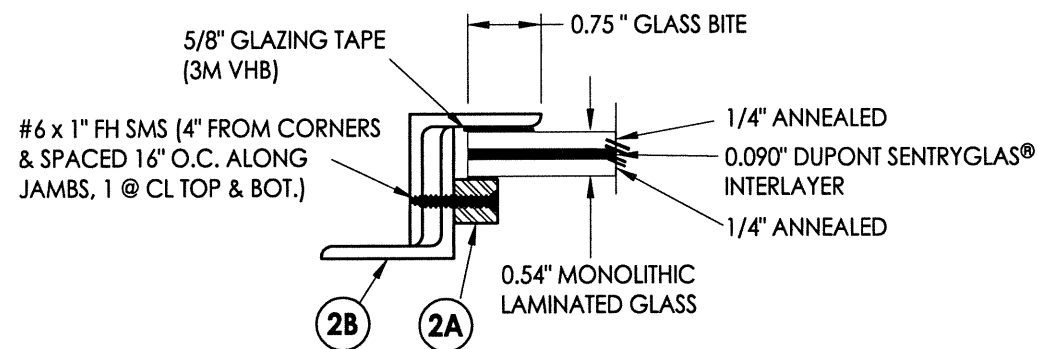
DATE: 11/8/13
SCALE: N.T.S.
DWG. BY: JK
CHK. BY: LFS
DRAWING NO.: FL-16663.7
SHEET 2 OF 7



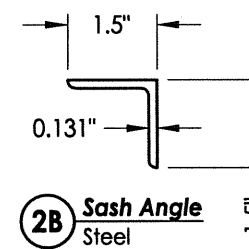
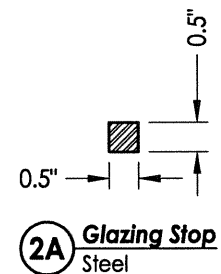
G1 GLAZING DETAIL
Operable Door/Sidelite



G2 GLAZING DETAIL
Operable Door/Sidelite



G3 GLAZING DETAIL
Operable Door/Sidelite



GLAZING DESIGN PRESSURE LIMITATIONS

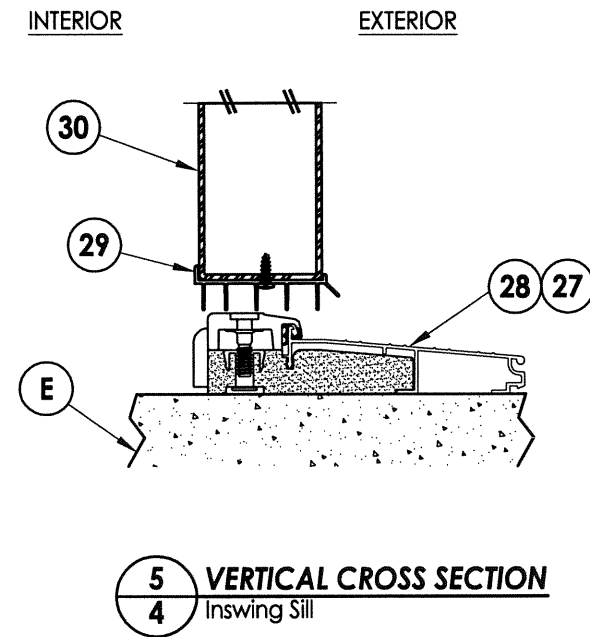
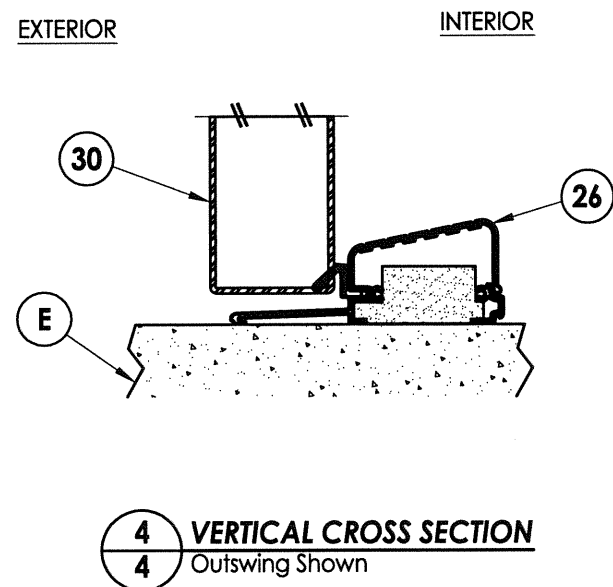
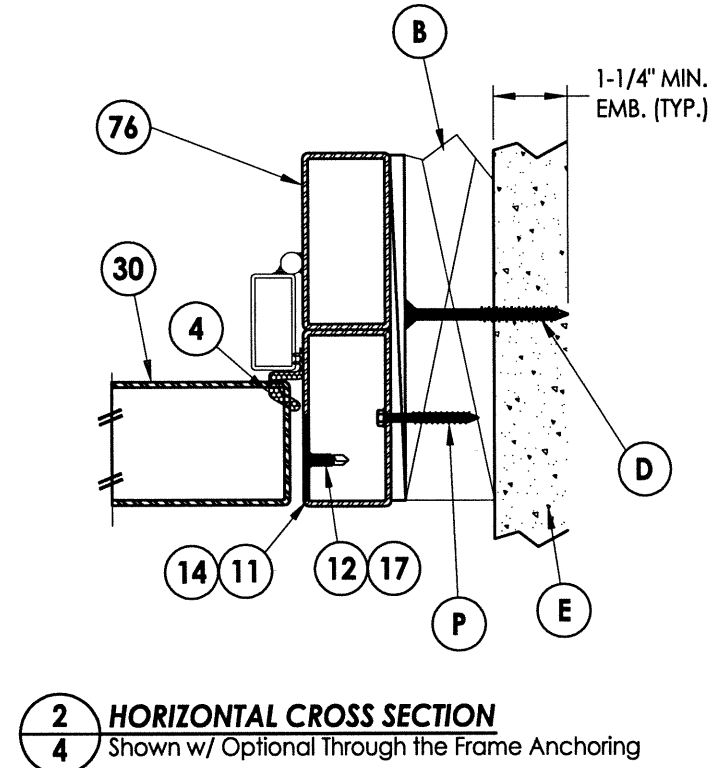
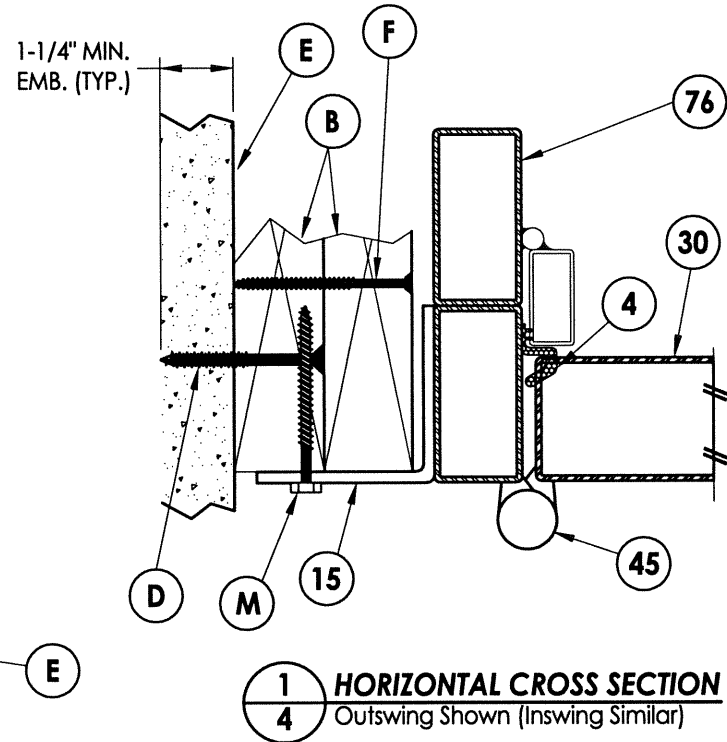
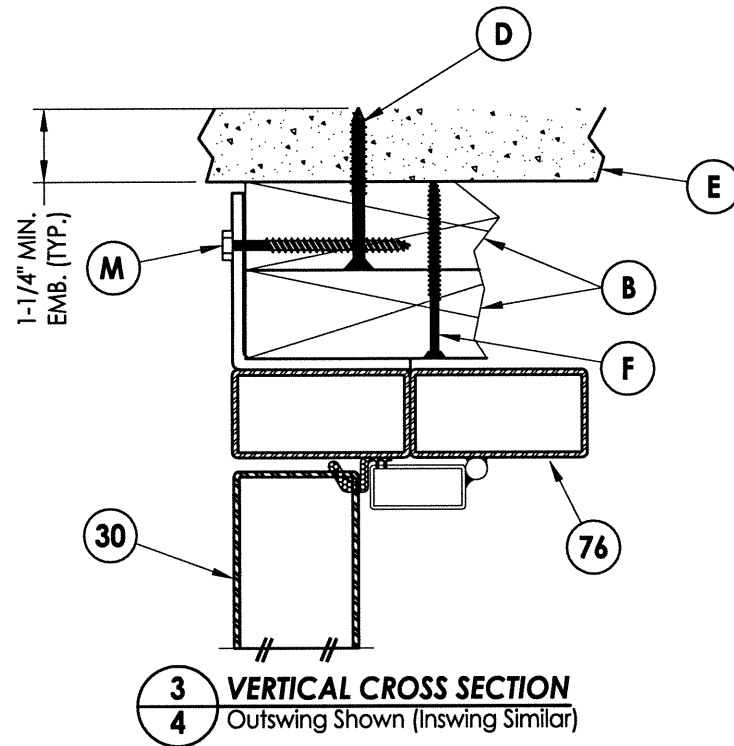
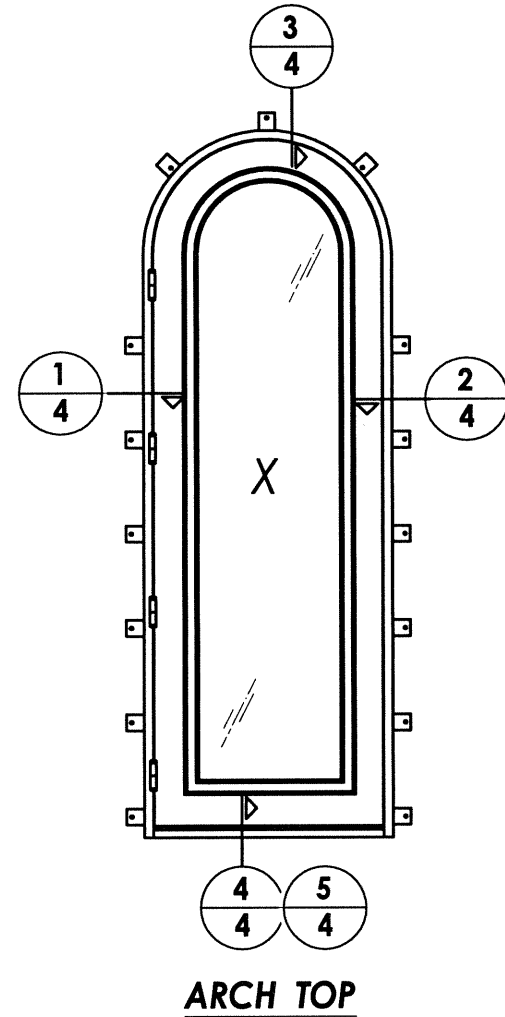
GLAZING	MAX. DESIGN PRESSURE (PSF)	
	POS.	NEG.
G1	+75.0	-75.0
G2, G3	+65.0	-65.0

Documents Prepared By:
R.W. BUILDING CONSULTANTS, INC.
 P.O. Box 230 Valrico FL 33595
 Phone No.: 813.659.9197
 Florida Board of Professional Engineers
 Certificate of Authorization No. 9813
LFS 12-19-13
 Lyndon F. Schmidt, P.E. No. 43409

PRODUCT: CLARK HALL IRON DOORS
 PART OR ASSEMBLY: GLAZING DETAILS

NO.	DATE	BY

DATE: 11/8/13
 SCALE: N.T.S.
 DWG. BY: JK
 CHK. BY: LFS
 DRAWING NO.: FL-16663.7
 SHEET 3 OF 7



LOCK HARDWARE DESIGN PRESSURE LIMITATIONS

MANUFACTURER	MODEL	MAX. DESIGN PRESSURE (PSF)	
		POS.	NEG.
EMTEK	TUBULAR ENTRY SET (SHERIDAN - 451812)	+75.0	-75.0
SUN VALLEY BRONZE ACCURATE LOCK & HARDWARE	LEVER/KNOB ENTRY SET (RIDGE: CS-421PLD) MORTISE LOCK	+65.0	-65.0
ASHLEY NORTON	TUBULAR ENTRY SET (SQTUB w/ 900 SERIES KNOB)	+65.0	-65.0
ASHLEY NORTON ACCURATE LOCK & HARDWARE	MORTISE LOCK (SQMOR w/ 900 SERIES KNOB) MORTISE LOCK	+65.0	-65.0

Documents Prepared By:

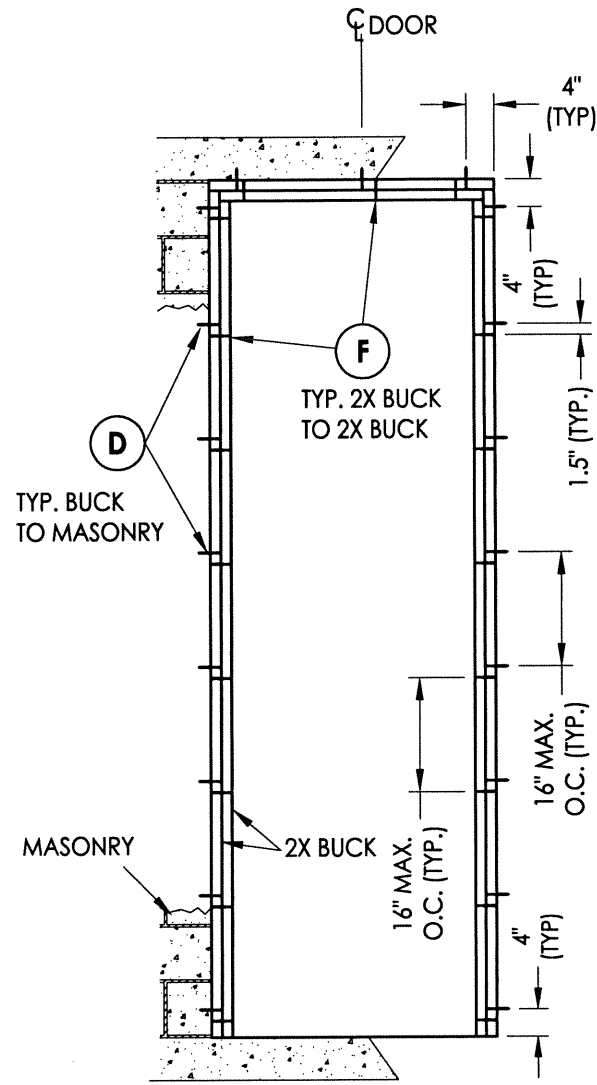
RW BUILDING CONSULTANTS, INC.
P.O. Box 230 Valrico FL, 33595
Phone No.: 813.659.9197
Florida Board of Professional Engineers
Certificate Of Authorization No. 9813
RFS 12-19-17
Lyndon F. Schmidt, P.E. No. 43409

PRODUCT: CLARK HALL IRON DOORS

PART OR ASSEMBLY: HORIZONTAL & VERTICAL CROSS SECTIONS

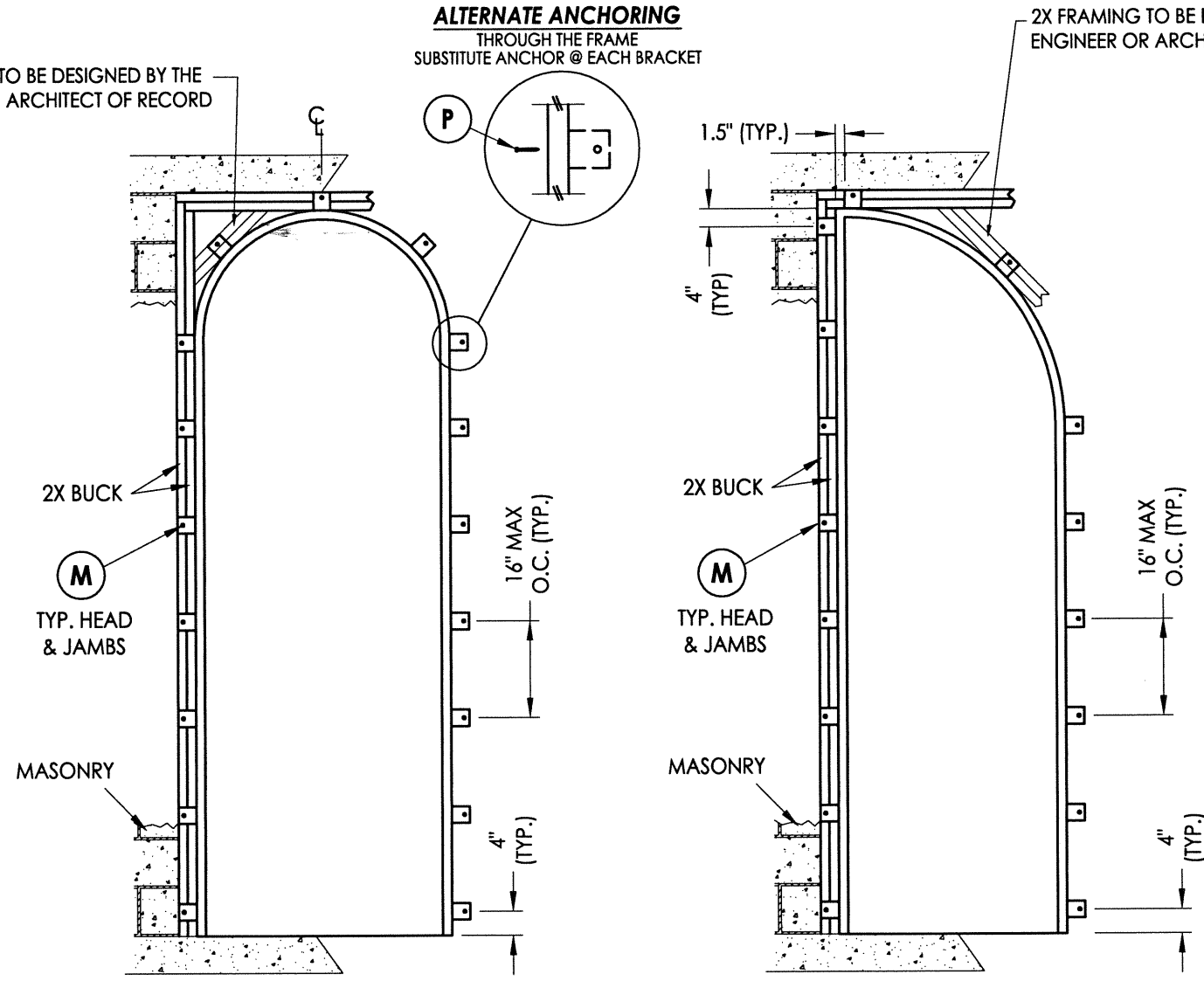
NO.	DATE	BY	REVISIONS

DATE: 10/30/13
SCALE: N.T.S.
DWG. BY: JK
CHK. BY: LFS
DRAWING NO.: FL-16663.7
SHEET 4 OF 7



BUCK ANCHORING
X

2X FRAMING TO BE DESIGNED BY THE ENGINEER OR ARCHITECT OF RECORD



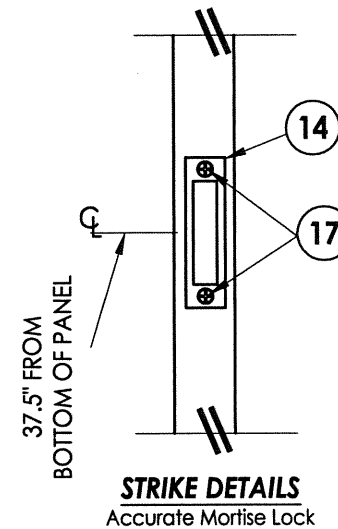
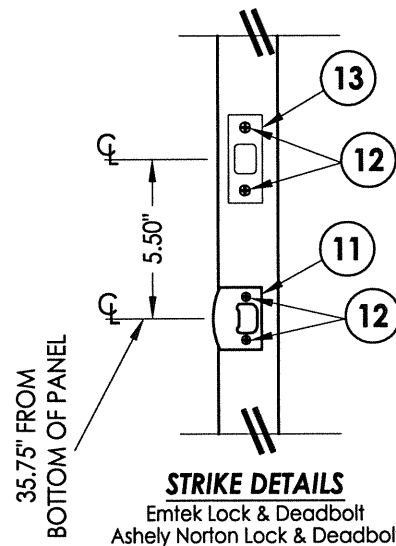
FRAME ANCHORING
X

NOTE FOR THROUGH THE FRAME ANCHORING ONLY ONE 2X BUCK IS REQUIRED, ANCHORED AS SHOWN.

CONCRETE ANCHOR NOTES:

- Concrete anchor locations at the corners may be adjusted to maintain the min. edge distance to mortar joints.
- Concrete anchor locations noted as "MAX. ON CENTER" must be adjusted to maintain the min. edge distance to mortar joints, additional concrete anchors may be required to ensure the "MAX. ON CENTER" dimension are not exceeded.
- Concrete anchor table:

ANCHOR TYPE	ANCHOR SIZE	MIN. EMBEDMENT	MIN. CLEARANCE TO MASONRY EDGE	MIN. CLEARANCE TO ADJACENT ANCHOR
ITW TAPCON®	1/4"	1-1/4"	2-1/2"	4"
ELCO ULTRACON®	1/4"	1-1/4"	2-1/2"	4"



Documents Prepared By:

RW BUILDING CONSULTANTS, INC.
P.O. Box 230 Valrico FL 33595
Phone No.: 813.659.9197
Florida Board of Professional Engineers
Certificate Of Authorization No. 9813
17-DC 12.19.13
Lyndon F. Schmidt, P.E. No. 43409

PRODUCT: CLARK HALL IRON DOORS

PART OR ASSEMBLY: BUCK & FRAME ANCHORING

NO.	DATE	BY	REVISIONS

DATE: 10/30/13

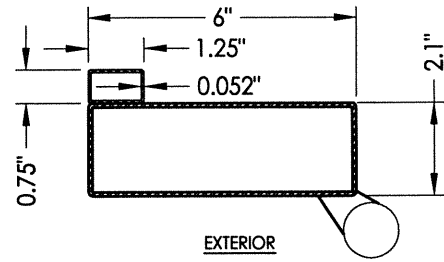
SCALE: N.T.S.

DWG. BY: JK

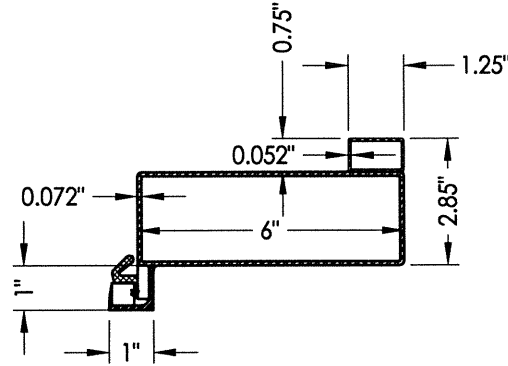
CHK. BY: LFS

DRAWING NO.: FL-16663.7

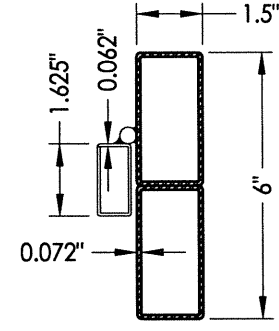
SHEET 5 OF 7



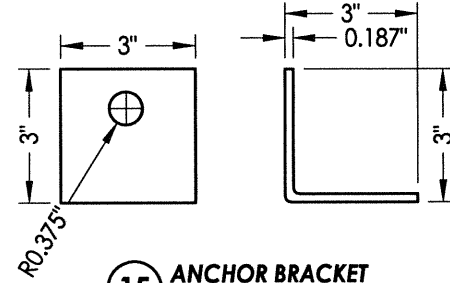
31 Full Lite Door Panel
Active Hinge Stile



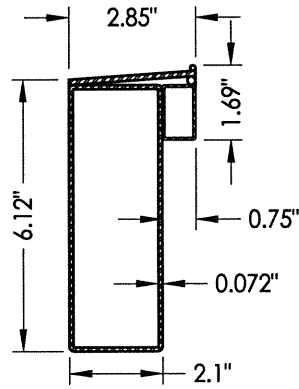
32 Full Lite Door Panel
Active Latch Stile



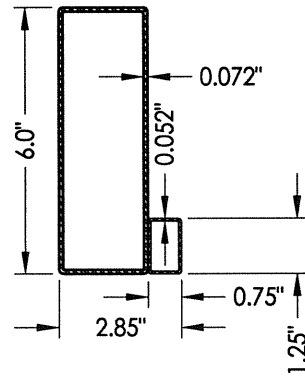
76 Jamb



15 ANCHOR BRACKET



43 Full Lite Door Panel
Bottom Rail



44 Full Lite Door Panel
Top Rail

Documents Prepared By:

RW BUILDING CONSULTANTS, INC.
P.O. Box 230 Valrico FL, 33595
Phone No.: 813.659.9197
Florida Board of Professional Engineers
Certificate Of Authorization No. 9813
12/19/13
Lyndon F. Schmidt, P.E. No. 43409

PRODUCT: CLARK HALL IRON DOORS

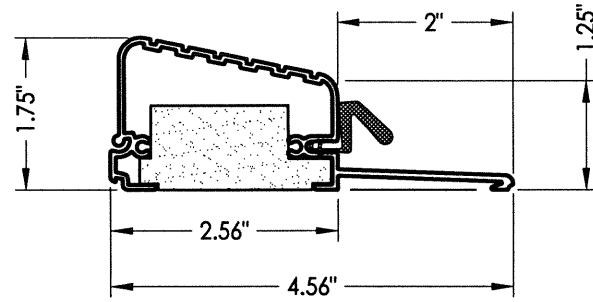
PART OR ASSEMBLY:

COMPONENTS

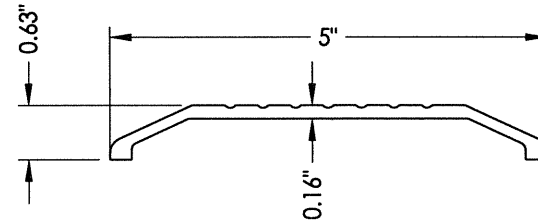
NO.	DATE	BY	REVISIONS

DATE: 10/30/13
SCALE: N.T.S.
DWG. BY: JK
CHK. BY: LFS
DRAWING NO.: FL-16663.7
SHEET 6 OF 7

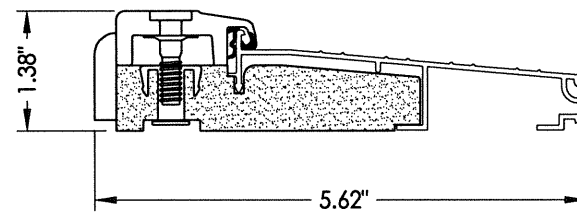
BILL OF MATERIALS		
ITEM #	DESCRIPTION	MATERIAL
B	2X BUCK SG >= 0.55	WOOD
D	1/4" X 2-3/4" PFH ELCO OR ITW CONCRETE SCREW	STEEL
E	MASONRY - 3,000 PSI MIN. CONCRETE CONFORMING TO ACI301 OR HOLLOW BLOCK CONFORMING TO ASTM C90	CONCRETE
F	#10 X 3" PFH WOOD SCREW	STEEL
G	5/16" X 2-1/4" HH ELCO OR ITW CONCRETE SCREW	STEEL
H	5/16" X 2-1/4" PFH ELCO OR ITW CONCRETE SCREW	STEEL
J	3/16" X 2-1/4" PFH ITW CONCRETE SCREW	STEEL
L	5/16-18 X 1-1/2" HH BOLT (GR. 5) w/ LOCK WASHER & NUT	STEEL
M	3/8" X 3" HH LAG SCREW	STEEL
P	#12 X 1-1/2" HWH SMS	STEEL
1	SASH LATCH STRIKE	STEEL
2	SASH LATCH	STEEL
3	#8 X 1/4" PFH SMS	STEEL
4	WEATHERSTRIP (QLON)	FOAM
11	LATCH STRIKE PLATE	STEEL
12	#8 X 3/4" PFH SMS	STEEL
13	DEADBOLT STRIKE PLATE	STEEL
14	MORTISE LOCK STRIKE PLATE	STEEL
15	ANCHORING BRACKET	STEEL
17	#12-24 X 13/16" PFH COMBINATION WOOD/MACHINE SCREW	STEEL
20	FLIP BOLT	STEEL
25	#6 X 1/2" PWH SELF TAPPING SMS	STEEL
26	OUTSWING THRESHOLD (DLP)	ALUM/COMP
27	ADA THRESHOLD	ALUM
28	INSWING THRESHOLD (AFCO)	ALUM/COMP
29	DOOR SWEEP (w/ #8 x 3/4" SMS)	-
30	DOOR PANEL (FULL LITE)	-
31	HINGE STILE (ACTIVE DOOR)	ASTM A36 STEEL
32	LATCH STILE (ACTIVE DOOR)	ASTM A36 STEEL
43	BOTTOM RAIL (FULL LITE)	ASTM A36 STEEL
44	TOP RAIL (FULL LITE)	ASTM A36 STEEL
45	DOOR PANEL HINGE	STEEL
60	SASH LITE FRAME	STEEL
61	SASH HINGE	STEEL
76	JAMB	ASTM A36 STEEL



26 **OUTSWING THRESHOLD**
DLP



27 **ADA THRESHOLD**



28 **INSWING THRESHOLD**
AFCO

Documents Prepared By:
RW BUILDING CONSULTANTS, INC.
 P.O. Box 230 Valrico FL, 33595
 Phone No.: 813.659.9197
 Florida Board of Professional Engineers
 Certificate Of Authorization No. 9813
 12.19.13
 Lynden F. Schmidt, P.E. No. 43409

PRODUCT: CLARK HALL IRON DOORS
 PART OR ASSEMBLY: BILL OF MATERIALS & COMPONENTS

NO.	DATE	BY	REVISIONS

DATE: 10/30/13
 SCALE: N.T.S.
 DWG. BY: JK
 CHK. BY: LFS
 DRAWING NO.: FL-16663.7
 SHEET 7 OF 7

© 2013 R.W. BUILDING CONSULTANTS INC.